

| Fg/Sh | Index |
|-------|----------------------------------|
| 1 | <i>INDEX</i> |
| 2 | <i>CONTROL UNIT MEASUREMENTS</i> |
| 3 | <i>CONTROL UNIT OUTPUTS</i> |
| 4 | <i>CONTROL UNIT INPUTS</i> |
| 5 | <i>POWER SWITCHING</i> |
| 6 | <i>TERMINAL BOARD</i> |

KRAFTOMKOPPLARE 25A ***GENERATOR SET CONTROL PANEL***

GPDS6000YT

| | | | |
|--------------------------------|------------------|-----------------------------|-------|
| <i>CONTROL UNIT</i> | InteliATS2 70 | <i>MODEL</i> | TL |
| <i>VERSION</i> | <i>MOTORIZED</i> | <i>DEGREE OF PROTECTION</i> | IP44 |
| <i>VOLTAGE</i> | 400V 3F+N | <i>POWER</i> | 17KVA |
| <i>BATTERY VOLTAGE</i> | 12Vdc | <i>CURRENT</i> | 25A |
| For electrical diagram E349-24 | | | |



Dis. N. E232-24

Impianto *POWER SWITCHGEAR*

Ordine
GREEN POWER

FOGLIO
1

CAD SPAC

Denominazione _____

Data
17/09/24

SEGUE
2

REV.

DATA

FIRME

Esecutore
BM

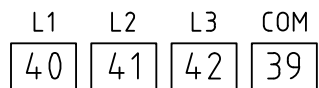
INDEX

A1 CONTROL UNIT

ATS2-70

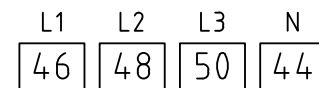
TA

GENSET CURRENT



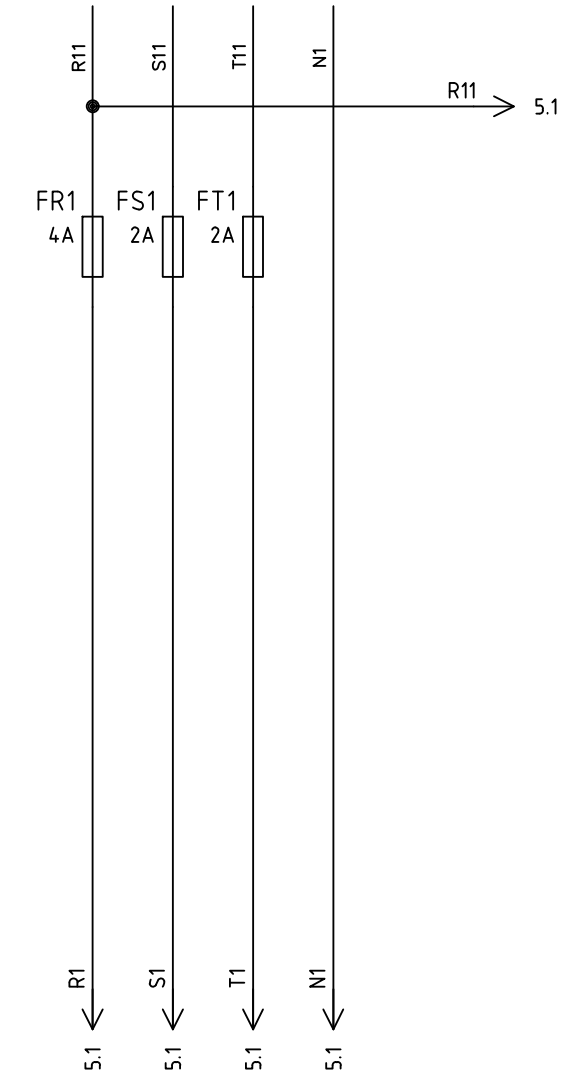
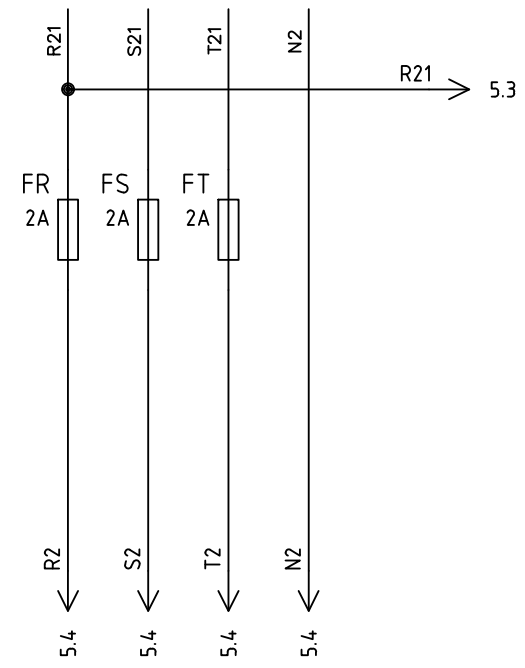
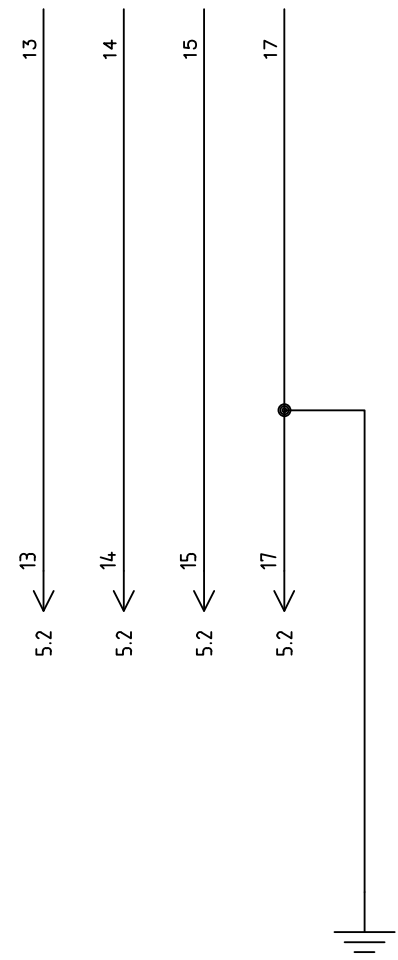
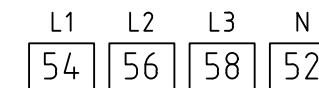
V-GE

GENSET VOLTAGE



V-MAINS

MAINS VOLTAGE



REV.

DATA

FIRME

Dis. N. E232-24
 CAD SPAC
 Esecutore BM

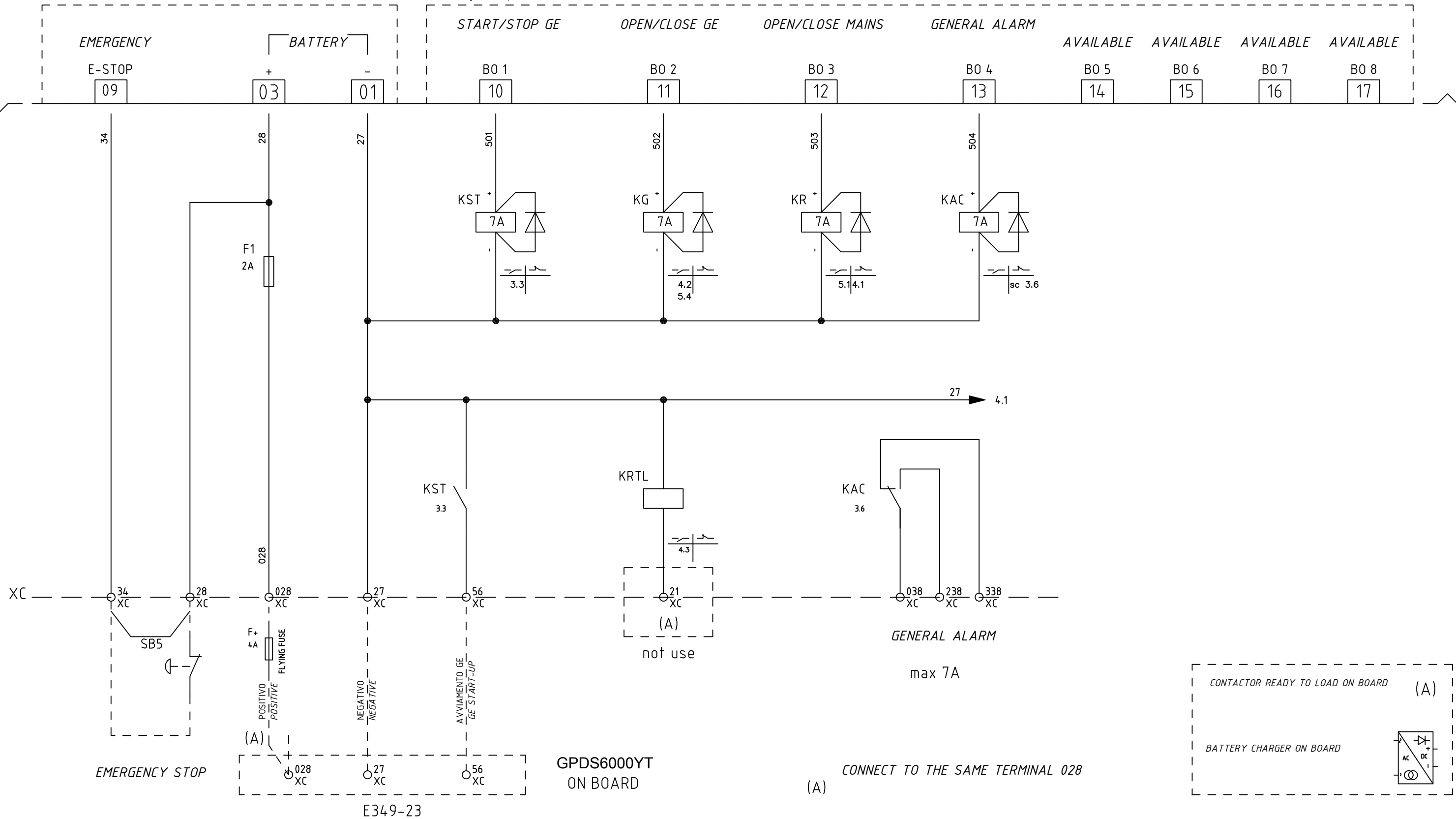
Imp POWER SWITCHGEAR
 Deno CONTROL UNIT MEASUREMENTS

Ordine GREEN POWER
 Data 17/09/24

FOGLIO 2
 SEGUE 3

ATS2-70

Binary Outputs



| | | | | | | | |
|-----------|---------|---------------|----------------------|--------|-------------|--------|---|
| Dis. N. | E232-24 | Impianto | POWER SWITCHGEAR | Ordine | GREEN POWER | FOGLIO | 3 |
| CAD | SPAC | Denominazione | CONTROL UNIT OUTPUTS | Data | 17/09/24 | SEGUE | 4 |
| Esecutore | BM | | | | | | |
| DATA | FIRME | | | | | | |

REV.

ATS2-70

MAINS FEEDBACK

GE FEEDBACK

READY TO LOAD

AVAILABLE

AVAILABLE

AVAILABLE

AVAILABLE

AVAILABLE

-OPTIONAL-

RS485

BI 1

BI 2

BI 3

BI 4

BI 5

BI 6

BI 7

BI 8

A

COM

B

60

61

62

63

64

65

66

67

32

31

30

401

402

121

KR
3.5

KG
3.4

KRTL
3.4

3.6 27



Dis. N. E232-24

CAD SPAC

Esecutore
BM

Imp *POWER SWITCHGEAR*

Deno *CONTROL UNIT INPUTS*

Ordine
GREEN POWER

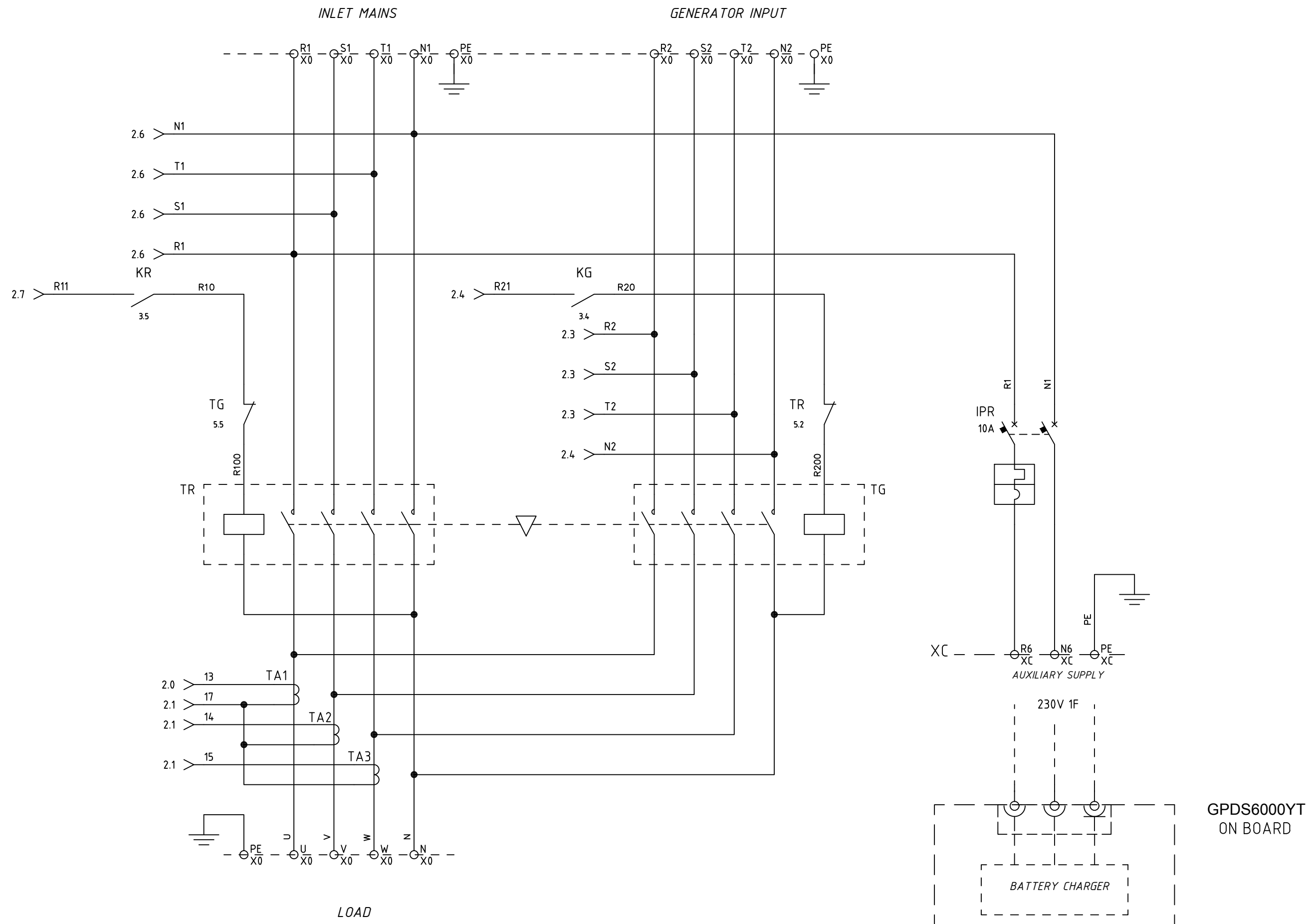
Data
17/09/24

FOGLIO
4

SEGUE
5

REV.

DATA FIRME



Dis. N. E232-24
 CAD SPAC
 Esecutore BM

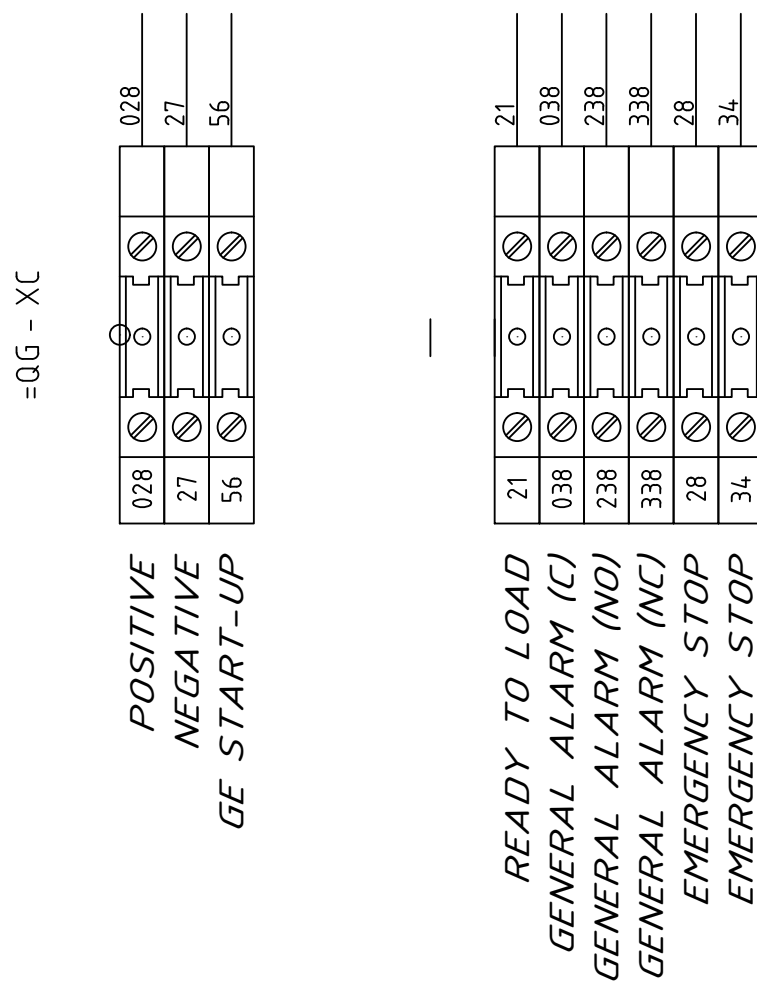
Impianto **POWER SWITCHGEAR**
 Denominazione **POWER SWITCHING**

Ordine GREEN POWER
 Data 17/09/24

FOGLIO 5
 SEGUE 6

REV.

DATA FIRME



| | |
|-----------|---------|
| Dis. N. | E232-24 |
| CAD | SPAC |
| Esecutore | BM |

| | |
|---------------|------------------|
| Impianto | POWER SWITCHGEAR |
| Denominazione | TERMINAL BOARD |

| | |
|--------|-------------|
| Ordine | GREEN POWER |
| Data | 17/09/24 |

| | |
|--------|---|
| FOGLIO | 6 |
| SEGUE | 1 |

| | |
|------|--|
| REV. | |
|------|--|

| | |
|------|--|
| DATA | |
|------|--|

| | |
|-------|--|
| FIRME | |
|-------|--|

| | |
|----|--|
| BM | |
|----|--|